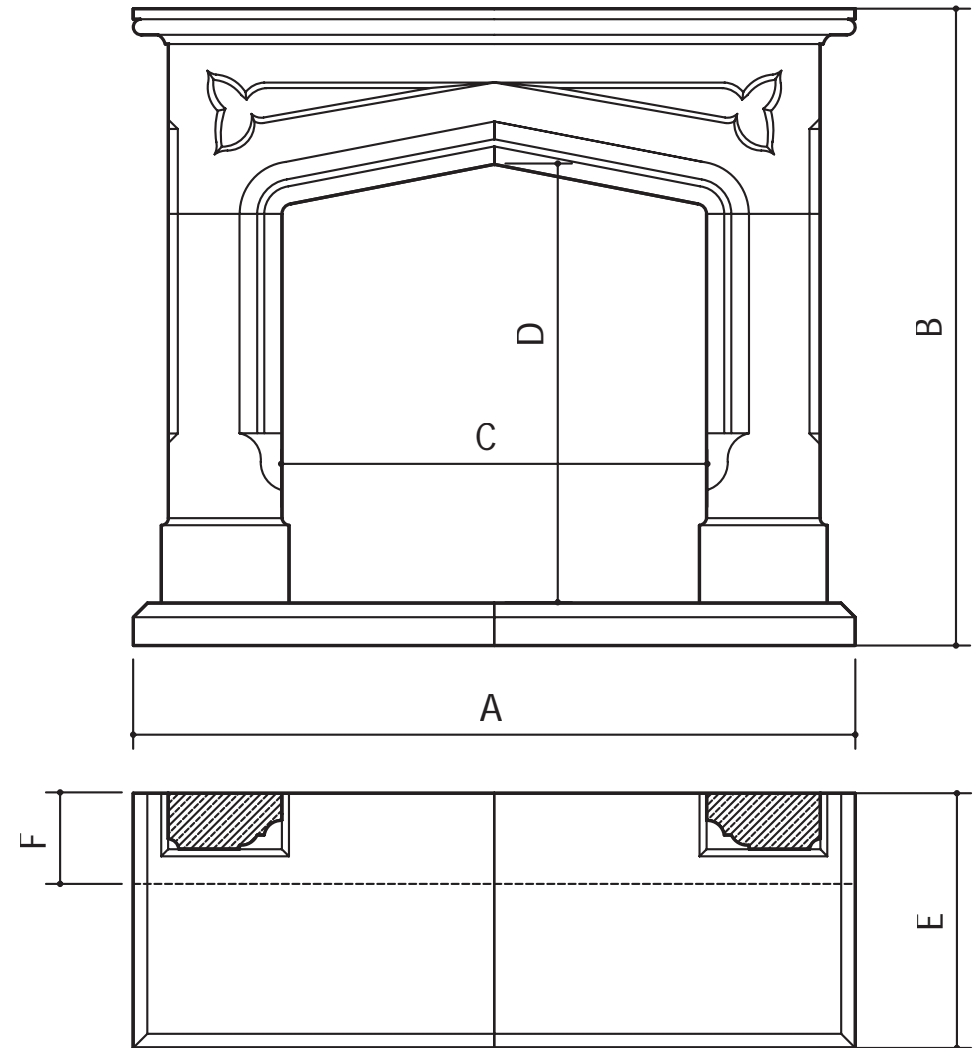


# the **Eastnor**



	inches	mm		inches	mm
A	51	1295	D	31	787
B	45	1143	E	18	457
C	30	762	F	6.5	165

Available with matching back panel to reduce fire opening to:  
16" x 22" inches 406 x 558 mm

